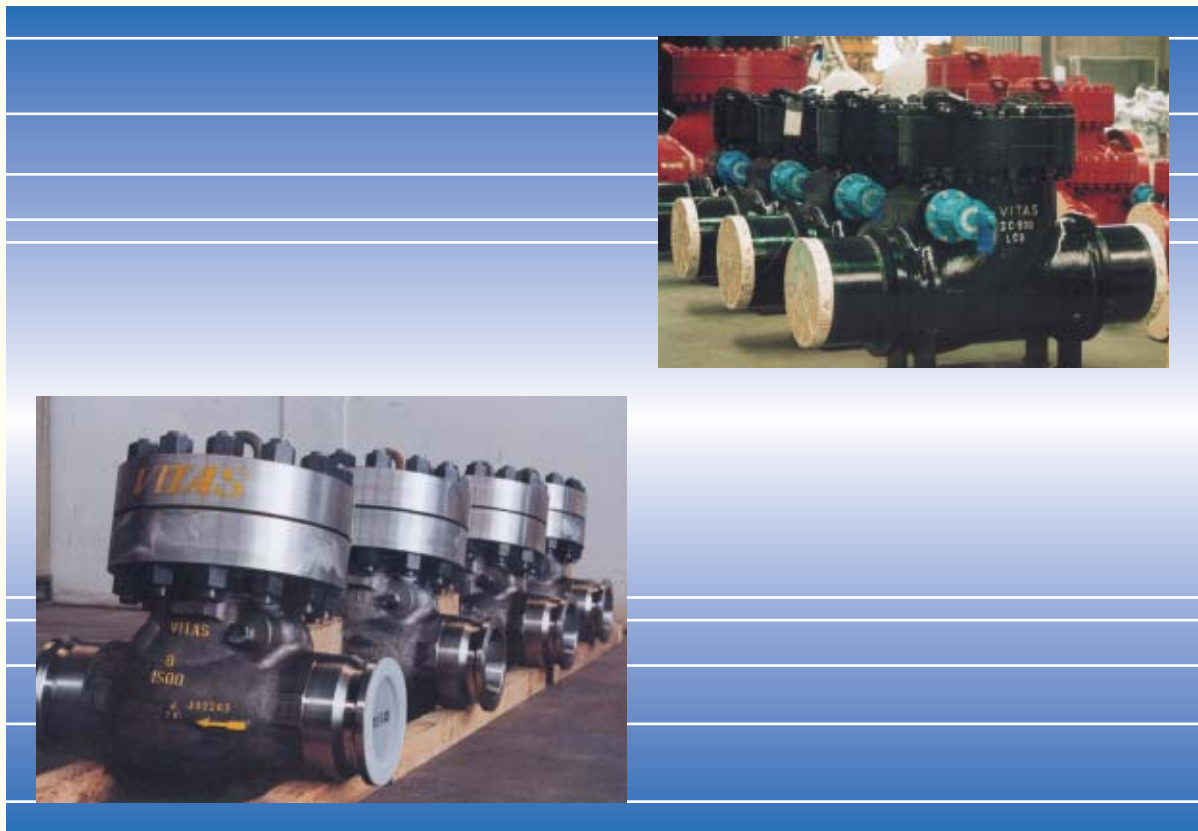


A Long Experience in Energy Equipment and one Goal:

*The Customer's satisfaction.*



# Check Valves



## Full Opening





# Swing Check Valves Full Opening



1

Design construction:  
API 6D - ANSI B16.34  
Testing according to API 6D  
Marking according to MMS SP25 - API6D

2

Flanges according to:  
ANSI B16.5 for size 2" to 24"  
ASME B16.47 for size >26"  
Butt Welding Ends according to  
ANSI B16.25  
Face to face according to API 6D

3

Dash pot or counter weight on request  
Spiral wound gasket for  
Classes ANSI 150,300 and 600 lbs  
Oval ring joint gasket for  
Classes ANSI 900,1500 and 2500 lbs

4

Screwed in seat  
Soft seat design on request  
Sub sea application on request  
For pressure temperature rating  
see technical data

# Swing Check Valves

## Full Opening



### Class ANSI 150

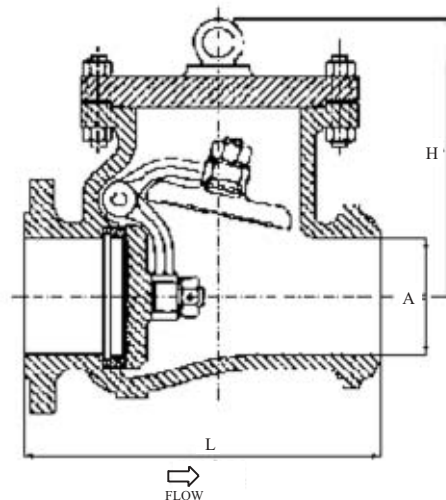
size inch	2	3	4	6	8	10	12	14	16	18	20	24	26	30	32	36	40	48
A	51	76	102	152	203	254	305	337	387	438	489	591	635	762	800	895	997	1162
H	164	196	204	259	300	352	384	437	480	533	555	615	615	781	821	929	1095	1371
L BW-RF	203	241	292	356	495	622	698	787	864	978	978	1295	1295	1524	1372	1956	1956	2540
Weight RF Kg	20	34	50	87	158	240	345	365	490	620	846	1300	1450	2120	2260	3040	4950	8700
Weight BW kg	15	25	40	75	140	190	275	335	425	540	755	1200	1350	1830	1940	2680	4210	6800

### Class ANSI 300

size inch	2	3	4	6	8	10	12	14	16	18	20	24	30	32	36	40	42	48
A	51	76	102	152	203	254	305	337	387	438	489	591	737	832	876	978	1022	1168
H	210	245	280	330	443	510	550	524	574	617	648	820	948	1092	1120	1180	1240	1435
L BW-RF	292	318	356	444	533	622	711	838	864	978	1016	1346	1594	2063	2063	2096	2096	2540
Weight RF Kg	24	48	71	139	238	360	486	620	715	955	1140	1820	3330	4650	5250	8500	11000	16800
Weight BW kg	20	34	52	110	200	320	365	500	590	800	920	1510	2800	5200	4670	7450	9700	14500

### Class ANSI 600

size inch	2	3	4	6	8	10	12	14	16	18	20	24	26	30	36	40	42	48	56
A	51	76	102	152	203	254	305	337	375	438	489	591	635	737	876	978	1022	1168	1365
H	284	313	367	438	512	568	649	610	692	760	920	1044	1144	1044	1297	1305	1550	1600	1800
L BW-RF	292	355	432	559	660	788	838	889	991	1092	1194	1397	1448	1651	2063	2096	2096	2540	2794
L RTJ	295	359	435	562	664	791	841	892	994	1095	1200	1407	1461	1664	2098	-	-	-	-
Weight RF Kg	38	64	120	215	420	570	788	1060	1440	1695	2600	3630	4020	5880	10450	12400	13500	19000	26800
Weight BW kg	30	53	95	181	360	460	665	905	1200	1430	2230	3035	3760	5420	9600	11200	12400	-	-



# Swing Check Valves Full Opening

## Class ANSI 900

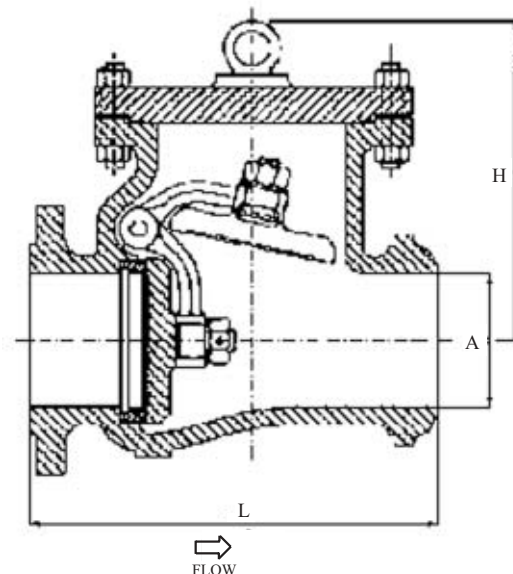
size inch	3	4	6	8	10	12	14	16	18	20	22	24	26	28	30	36	40	42
A	76	102	152	203	254	305	311	375	425	473	524	533	635	667	714	857	914	965
H	317	375	455	540	571	706	706	871	977	1019	1190	1190	1200	1200	1463	1625	1825	1991
L BW-RF	381	457	610	737	838	965	1029	1130	1219	1321	1435	1549	1575	1575	1905	2210	2664	2620
L RTJ	384	460	613	740	841	968	1038	1140	1232	1334	1448	1568	-	-	-	-	-	-
Weight RF Kg	90	173	292	548	944	1560	1660	2120	3020	3750	4900	5600	6600	8610	9400	18000	25000	28000
Weight BW kg	75	145	225	446	840	1370	1440	1810	2340	2900	4050	4310	6050	6880	7410	15800	22500	25100

## Class ANSI 1500

size inch	2	3	4	6	8	10	12	14	16	18	20	24
A	76	76	102	146	194	241	289	318	362	407	457	533
H	283	330	400	510	590	685	830	940	1050	1140	1257	1510
L BW-RF	368	470	546	705	832	991	1130	1257	1384	1537	1664	1943
L RTJ	371	473	549	711	841	1001	1146	1276	1407	1559	1686	1972
Weight RF Kg	84	140	250	536	942	1750	2350	2950	3800	5500	6900	10250
Weight BW kg	67	115	215	480	843	1500	2020	2400	3115	4680	5600	8350

## Class ANSI 2500

size inch	2	3	4	6	8	10	12
A	45	57	89	133	181	225	267
H	343	415	560	660	920	1100	1210
L BW-RF	451	578	673	914	1022	1270	1422
L RTJ	454	584	683	927	1038	1292	1445
Weight RF Kg	155	280	520	1120	1900	3200	3800
Weight BW kg	120	205	440	840	1460	2510	2800



Vitas-Division of VALVITALIA S.p.a.

Via Olmo, 31/33 - 36077 Altavilla Vicentina (VI) Italy  
Tel.+39 0444 337111 - Fax +39 0444 349359  
e-mail: info@valvitalia.com - www.valvitalia.com



Valvitalia S.p.a.

Via Tortona, 69 - 27055 Rivanazzano (PV) Italy  
Tel.+39 0383 945911 - Telefax +39 0383 945962  
e-mail: info@valvitalia.com - www.valvitalia.com